



CU 700

USER INSTRUCTIONS p. 2
Please read the manual before using the equipment!

BEDIENUNGSANLEITUNG ..S. 12
Bitte vor Inbetriebnahme des Gerätes lesen!

MODE D'EMPLOI p. 22
Veuillez lire cette notice avant d'utiliser le système!

MODO DE EMPLEO p. 32
¡Sirvase leer el manual antes de utilizar el equipo!



Thank you for purchasing an AKG product. This manual contains important instructions for setting up and operating your equipment. Please take a few minutes to **read the instructions below carefully before operating the equipment**. Please keep the manual for future reference. We hope you enjoy using your system!

Symbols Used



The exclamation point in an equilateral triangle on the equipment indicates that it is necessary for the user to refer to the User Manual.

In the User Manual, this symbol marks instructions that the user must follow to ensure safe operation of the equipment.



The "i" symbol marks important notes, hints, or explanations that you should follow to ensure optimum performance of the equipment.

Important Note

- **AKG continually improves the internal firmware of the CU 700 system in order to meet changing customer needs in the best possible way. Should your system use a different firmware version than the one described in this user manual, some functions may differ from the related instructions.**

FCC Statement

The CU 700 complies with Part 15 of the FCC Rules. Operation is subject to the following two conditions:

- (1) this device may not cause harmful interference, and
- (2) this device must accept any interference received, including interference that may cause undesired operation.

	Page
1 Safety and Environment	4
Safety	4
Environment	4
2 Packing List	5
3 General	5
Introduction	5
Top and Front Panels	5
Bottom and Rear Panels	6
Optional Rack Mounting Kit	6
4 Connecting to Power	6
5 Operating Notes	7
Charging	7
Inserting a Transmitter into the Charger	7
Important Notes	8
6 Charging Cycle	9
7 Cleaning	9
8 Troubleshooting	10
9 Specifications	11



1 Safety and Environment

- Safety**
- Do not spill any liquids on the charger and do not drop any objects through the ventilation slots in the charger. This may cause short circuits and contaminate the charging contacts.
 - Never use the charger to charge dry batteries. The charger will detect dry batteries and automatically deactivate the charging function.
 - The charger may be used in dry rooms only.
 - The charger should be opened, serviced, and repaired by authorized personnel only. The charger contains no user-serviceable parts.
 - Place the charger at least 1 inch away from walls or other equipment to ensure adequate heat dissipation from the charger. If the charger overheats, the charging cycle will be stopped immediately.
 - Before connecting the charger to power, check that the AC mains voltage stated on the included power supply is identical to the AC mains voltage available where you will use the charger.
 - Do not operate the charger with any power supply other than the included local AC adapter with an output voltage of 12 VDC. Using a power supply with an AC output and/or a different output voltage may cause serious damage to the charger.
 - If you will not use the charger for a long period of time, disconnect the charger from power. To prevent unwanted discharging, be sure to remove the transmitter(s) from the charger every time you disconnect the charger from power.
 - If any solid object or liquid penetrates into the charger, shut down the sound system immediately. Disconnect the power cable from the power outlet immediately and have the equipment checked by AKG service personnel.
 - Do not place the charger near heat sources such as radiators, heating ducts, or amplifiers, etc. and do not expose it to direct sunlight, excessive dust, moisture, rain, mechanical vibrations, or shock.
 - Clean the charger with a moistened (not wet) cloth only. Be sure to disconnect the power supply from the power outlet before cleaning the charger! Never use acidic or scouring cleaners or cleaning agents containing alcohol or solvents since these may damage the enamel and plastic parts.
 - Use the charger for the applications described in this manual only. AKG cannot accept any liability for damages resulting from improper handling or misuse.

Environment



- The charger will draw a low current even when the charging mode is off. To save energy, disconnect the charger from power if you will not use the charger for a long period of time. To prevent unwanted discharging, be sure to remove the transmitter(s) from the charger every time you disconnect the charger from power.
- Be sure to dispose of used batteries as required by local waste disposal rules. Never throw batteries into a fire (risk of explosion) or garbage can.
- The packaging of the charger is recyclable. Dispose of the packaging in an appropriate container provided by the local waste collection/recycling entity and observe all local legislation relating to waste disposal and recycling.
- When scrapping the charger, remove the batteries, separate the case, circuit boards, and cables, and dispose of all components in accordance with local waste disposal rules.

- Check that the package contains all the parts listed below. If anything is missing, please contact your AKG dealer.
 - 1 x CU 700 charger
 - 1 x AC Adapter (if checked on the packaging)
 - 4 x AA size NiMH rechargeable batteries
-

- For options and accessories, please refer to the current AKG catalog or folder, or visit www.ake.com. Your dealer will be glad to help.
-

Optional Accessories

3 General

The CU 700 has been designed specifically for use with the DMS 700 wireless system. The charger provides two charging slots specially shaped to accept the DHT 700 and DPT 700 transmitters. The charging slots operate completely independently so you can charge two transmitters with rechargeable batteries simultaneously. You do not need to remove the batteries from the transmitter for charging.

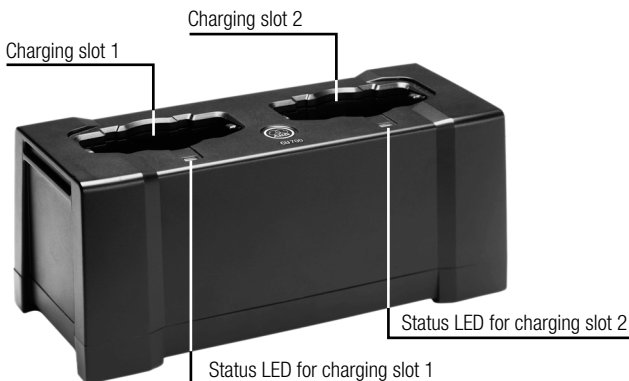
Introduction

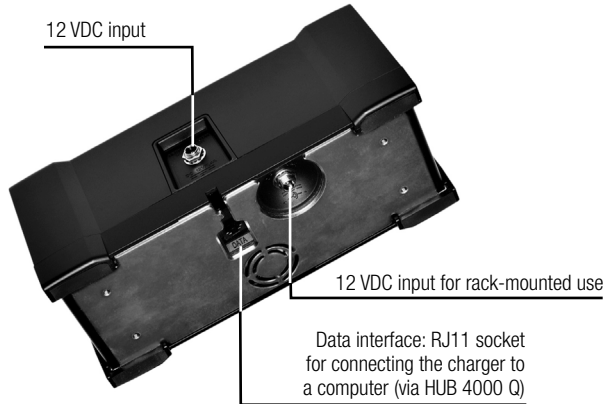
The CU 700 charger

- monitors battery voltages and temperatures during charging;
- generates a flag signaling the end of the charging cycle upon reaching maximum capacity;
- monitors all required safety parameters and will stop the charging cycle if one or more safety parameters are out of range.

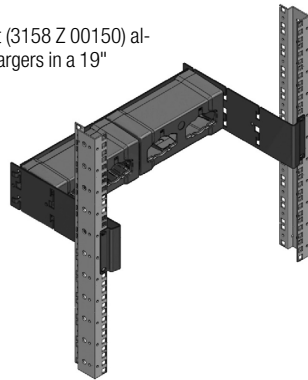
The charger checks the batteries inside the transmitter and will automatically deactivate the charging function if it detects a dry battery.

Top and Front Panels



Bottom and Rear
PanelsOptional
Rack Mounting Kit

- The optional RMU 700 rack mounting kit (3158 Z 00150) allows you to install one or two CU 700 chargers in a 19" rack.



4 Connecting to Power

! NOTICE

- Check that the AC mains voltage stated on the included power supply is identical to the AC mains voltage available where you will use your system. Using the power supply with a different AC voltage may damage the unit.
- Do not use any power supply other than the AC adapter supplied with the charger.

1. Connect the DC cable of the supplied AC adapter to the 12 V DC jack on the charger rear panel.
2. Connect the AC adapter to a convenient power outlet.
3. The charger is ready to operate. Note that both STATUS LEDs remain dark.

Charging

Note

- Rechargeable batteries (those included or those you may buy later) are delivered uncharged or partially charged. Therefore, you will need to charge each new battery before using it.
- The battery capacity indication will work best if you charge the batteries fully using the CU 700 charger.
- If you replace the rechargeable batteries inside a transmitter be sure to fully charge the batteries in order to calibrate the charging control system.
- Battery life depends on battery quality. Do not use any rechargeable batteries other than the same type as those included with the charger.

Each charging slot features a tricolor STATUS LED that indicates the current operating status of the respective charging slot (">...<" marks an LED flashing in the respective color):

STATUS LED	STATUS
---	The charger is ready to operate, no transmitter is inserted in a charging slot.
orange	The batteries inside the inserted transmitter are being checked. Battery temperature is above 40°C or below 5°C. LED flashes until temperature is within specified range.
red	The batteries are being charged.
green	The batteries are fully charged; the charging cycle is completed.
>red<	Error.
blue	Data communication for computer monitoring is active.

Table 1: STATUS LED indications

1. Check that rechargeable batteries are inside the transmitter battery compartment. If there is no battery inside the battery compartment, do not place the transmitter in a charging slot before you inserted rechargeable batteries into the transmitter.
2. Insert the transmitter into the charging slot so that the display on the transmitter faces the LEDs on the charger. The charger will automatically power the transmitter via the charging contacts.
3. Never switch the transmitter ON during the charging cycle. This may cause the charger to falsely indicate a completed charging cycle before charging is actually completed.



Inserting a Transmitter into the Charger

Fig. 1: Inserting transmitters into the CU 700 charger.

- To avoid damaging the charger, do not try to charge dry batteries.



- Important Notes**
1. You may safely remove the transmitter at any time before the charging cycle is completed.
 2. You may safely charge the batteries inside the transmitter at any time, even before the batteries are completely discharged.
 3. At ambient temperatures above +40°C, the charger may overheat. As a result, the charging cycle may take considerably longer or stop altogether (STATUS LED flashing red). As soon as the ambient temperature drops below +40°C, the charging cycle will be resumed automatically (STATUS LED will be lit red).
 4. If the batteries heat up to more than +60°C during a charging cycle (e.g., due to high ambient temperature), the charging cycle will be stopped automatically (STATUS LED flashing red). Most batteries will be unusable after being heated up to more than +60°C.
 5. Excessive vibrations may cause the charging cycle to be stopped (STATUS LED flashing red), restarted (STATUS LED is lit orange), or appear completed (STATUS LED lit green) ahead of time. Make sure the charger will not be subjected to vibrations during the charging cycle and will rest firmly on a hard surface.
 6. Items 1 and 2 above notwithstanding, if you wish to extend the useful life of rechargeable batteries be sure to
 - completely discharge the batteries every time, i.e., not to charge the batteries before the battery warning appears on the transmitter display;
 - charge the batteries to capacity every time, i.e., not to remove them from the charger before the charging cycle is completed;
 - avoid charging batteries at temperatures below +5°C or above +40°C. At such temperatures, the charging cycle will not start and the STATUS LED will be lit orange. The charging cycle will be resumed automatically as soon as the battery temperature returns to the acceptable range.
 - use no batteries other than the rechargeable types recommended in section 9 Specifications.
 7. Rechargeable batteries will only reach their full capacity after several charging cycles.
 8. If a transmitter with fully charged batteries and another one with dead batteries are in the charging slots, the charging cycle may take up to ten hours.
 9. If you insert a transmitter with a dry battery into the charger, the charging cycle will be stopped immediately after the battery test and a few minutes of charging. The STATUS LED will start flashing red.
-

6 Charging Cycle

CU
700

The charging cycle will start automatically as soon as you insert a transmitter with rechargeable batteries into the charger.

STATUS LED	STATUS
orange	The voltage and temperature of the batteries are being checked.
red	The batteries are being charged. Charging time is approx. 1.5 hours for completely discharged batteries and proportionately less for partially discharged batteries.
green	The batteries are fully charged; the charging cycle is completed. The charger has switched to trickle charging mode. You may remove the transmitter from the charger. Due to the charging process, the batteries may heat up to +60°C. This is normal.

Table 2: Charging cycle

7 Cleaning

CU
700

1. **Disconnect the DC cable from the rear panel DC 12 V jack.**
2. Use a cloth moistened (not wet!) with water to clean the surfaces of the charger.

- **Never use caustic or scouring cleaners or cleaning agents containing alcohol or solvents since these may damage the enamel or plastic parts.**



Problem	Possible Cause	Remedy
All LEDs dark.	<ul style="list-style-type: none"> • No defect. STATUS LEDs are not activated before you insert a transmitter with batteries into a charging slot. 	
All LEDs dark although at least one charging slot is loaded.	<ol style="list-style-type: none"> 1. AC adapter is not connected to power. 2. DC cable is no not connected to charger. 3. One or more charging contacts fail to make contact with the transmitter. 4. Internal error. 	<ol style="list-style-type: none"> 1. Connect power supply to convenient power outlet. 2. Connect DC cable to charger. 3. Check contacts for resilience, or clean contacts. 4. Disconnect power supply or DC cable, wait for 10 seconds, and connect again. Should the problem persist, contact your nearest AKG Service Center.
STATUS LED flashing red.	<ul style="list-style-type: none"> • Charging cycle has been stopped: <ol style="list-style-type: none"> 1. Transmitter uses dry batteries. 2. Charging contacts contaminated. 3. Inside temperature of batteries is too high. 4. Inside temperature of charger is too high. 5. Batteries defective (voltage <0.5 V). 6. Charger connected to incompatible power supply whose output voltage is too high: both STATUS LEDs flashing red. 7. Charger defective. 	<ol style="list-style-type: none"> 1. Remove transmitter from charging slot; replace dry with rechargeable batteries. 2. Clean charging contacts on charger and transmitter with soft cloth. 3. Allow batteries/charger to cool down, charging cycle will resume when temperature returns to acceptable range. Should the problem persist, contact your nearest AKG Service Center. 4. Make sure there is enough free space around charger to provide adequate heat dissipation. 5. Replace batteries. 6. Use original AC adapter supplied with charger. 7. Contact your nearest AKG Service Center.

Operating voltage:	12 VDC, 1.5 A max.
Recommended batteries:	NiMH or NiCd rechargeable, minimum capacity: 1900 mAh
AC voltage:	refer to label on AC adapter
Charging current:	typ. 1.4 A in single-slot mode
Charging time:	typ. 1.5 hours in single-slot mode (depending on battery type and capacity)
Size (LxHxD):	188 x 115 x 78 mm (7.4 x 4.5 x 3.1 in.)
Weight:	approx. 420 g (14.8 oz.)

This product conforms to the standards listed in the Declaration of Conformity. To order a free copy of the Declaration of Conformity, visit <http://www.akg.com> or contact sales@akg.com

Vielen Dank, dass Sie sich für ein Produkt aus dem Hause AKG entschieden haben. **Bitte lesen Sie die Bedienungsanleitung, insbesondere das Kapitel "Sicherheit und Umwelt", aufmerksam durch,** bevor Sie das Gerät benutzen, und bewahren Sie die Bedienungsanleitung sorgfältig auf, damit Sie jederzeit nachschlagen können. Wir wünschen Ihnen viel Spaß und Erfolg!

Verwendete Symbole



Das Rufzeichen im gleichseitigen Dreieck am Gerät ist eine Aufforderung, die Bedienungsanleitung zu lesen.

In der Bedienungsanleitung kennzeichnet dieses Symbol Anweisungen, die zum sicheren Betrieb des Geräts unbedingt zu befolgen sind.



Das Symbol "i" macht Sie auf wichtige Hinweise und Erklärungen aufmerksam. Bitte befolgen Sie diese Hinweise, damit Ihr Gerät optimal funktioniert.

Wichtiger Hinweis

- Die interne Firmware des Systems CU 700 wird ständig verbessert, um Kundenanforderungen optimal gerecht zu werden. Sollte Ihr System bereits mit einer höheren Firmware als der in dieser Bedienungsanleitung beschrieben ausgestattet sein, können manche Funktionen von der Beschreibung abweichen.

	Seite
1 Sicherheit und Umwelt	14
Sicherheit	14
Umwelt	14
2 Lieferumfang	15
3 Allgemeines	15
Einleitung	15
Oberseite und Vorderseite	15
Unterseite und Rückseite	16
Optionales Rackmontageset	16
4 Netzanschluss	16
5 Bedienungshinweise	17
Akkus laden	17
Sender in die Ladestation einsetzen	17
Wichtige Hinweise	18
6 Ladezyklus	19
7 Reinigung	19
8 Fehlerbehebung	20
9 Technische Daten	21



1 Sicherheit und Umwelt

- Sicherheit**
- Schütten Sie keine Flüssigkeiten auf die Ladestation und lassen Sie keine sonstigen Gegenstände durch die Lüftungsschlitze in das Gerät fallen. Dies kann zu Kurzschlüssen und Verschmutzung der Ladekontakte führen.
 - Versuchen Sie nicht, mit der Ladestation nicht-wiederaufladbare Batterien aufzuladen. Die Ladestation erkennt nicht-wiederaufladbare und deaktiviert automatisch die Ladefunktion.
 - Die Ladestation darf nur in trockenen Räumen eingesetzt werden.
 - Die Ladestation darf nur von autorisiertem Fachpersonal geöffnet, gewartet und repariert werden. Im Inneren des Gehäuses befinden sich keinerlei Teile, die vom Laien gewartet, repariert oder ausgetauscht werden können.
 - Stellen Sie die Ladestation in einem Abstand von mindestens 3 cm von Wänden oder anderen Geräten auf, um ausreichende Wärmeabfuhr von der Ladestation zu gewährleisten. Bei Überhitzung wird der Ladevorgang automatisch abgebrochen.
 - Prüfen Sie vor Inbetriebnahme der Ladestation, ob die auf dem mitgelieferten Netzgerät angegebene Betriebsspannung der Netzspannung am Einsatzort entspricht.
 - Betreiben Sie die Ladestation ausschließlich mit dem mitgelieferten Netzgerät mit einer Ausgangsspannung von 12 V DC. Andere Stromarten und Spannungen könnten die Ladestation ernsthaft beschädigen!
 - Wenn Sie die Ladestation längere Zeit nicht benutzen, trennen Sie die Ladestation vom Stromnetz. Um ungewollte Entladungen zu vermeiden, entfernen Sie immer die Sender aus der Ladestation, wenn diese vom Stromnetz getrennt wird.
 - Falls Flüssigkeit oder sonstige Gegenstände in die Ladestation gelangen, trennen Sie die Ladestation sofort vom Stromnetz und lassen Sie die Ladestation von unserem Kundendienst überprüfen.
 - Stellen Sie die Ladestation nicht in der Nähe von Wärmequellen wie z. B. Radiatoren, Heizungsrohren, Verstärkern, Bühnenlicht usw. auf und setzen Sie es nicht direkter Sonneneinstrahlung, starker Staub- und Feuchtigkeitseinwirkung, Regen, Vibrationen oder Schlägen aus.
 - Reinigen Sie die Ladestation nur mit einem feuchten, aber nicht nassen Tuch. Trennen Sie das Netzgerät vorher unbedingt vom Stromnetz! Verwenden Sie keinesfalls säurehaltige oder scheuernde Reinigungsmittel sowie keine, die Alkohol oder Lösungsmittel enthalten, da diese den Lack sowie die Kunststoffteile beschädigen könnten.
 - Verwenden Sie die Ladestation nur für die in dieser Bedienungsanleitung beschriebenen Anwendungen. Für Schäden infolge unsachgemäßer Handhabung oder missbräuchlicher Verwendung kann AKG keine Haftung übernehmen.

- Umwelt**
- Die Ladestation nimmt auch bei abgeschaltetem Ladevorgang einen geringen Strom auf. Um Energie zu sparen, trennen Sie daher die Ladestation vom Stromnetz, wenn Sie die Ladestation längere Zeit nicht benutzen. Um ungewollte Entladungen zu vermeiden, entfernen Sie den/die Sender immer aus der Ladestation, wenn die Ladestation vom Stromnetz getrennt wird.
 - Entsorgen Sie verbrauchte Akkus immer gemäß den jeweils geltenden Entsorgungsvorschriften. Werfen Sie Akkus weder ins Feuer (Explosionsgefahr) noch in den Restmüll.
 - Die Verpackung ist recycelbar. Entsorgen Sie die Verpackung in einem dafür vorgesehenen Sammelssystem.
 - Wenn Sie die Ladestation verschrotten, trennen Sie Gehäuse, Elektronik und Kabel und entsorgen Sie alle Komponenten gemäß den dafür geltenden Entsorgungsvorschriften.



- Kontrollieren Sie bitte, ob die Verpackung alle unten angeführten Teile enthält. Falls etwas fehlt, wenden Sie sich bitte an Ihren AKG-Händler.
 - 1 x Ladestation CU 700
 - 1 x Steckernetzgerät (wenn auf der Verpackung angekreuzt)
 - 4 x NiMH-Akkus, Größe AA
-
- Optionales Zubehör finden Sie im aktuellen AKG-Katalog/Folder oder auf www.akg.com. Ihr Händler berät Sie gerne.
-

Optionales Zubehör

3 Allgemeines

Die Ladestation CU 700 wurde speziell für das System DMS 700 entwickelt. Die Ladestation besitzt zwei speziell geformte Lademulden zur Aufnahme der Sender DHT 700 und DPT 700. Damit können Sie zwei Sender mit Akkus gleichzeitig und völlig unabhängig voneinander aufladen. Sie brauchen die Akkus zum Aufladen nicht aus dem Sender herauszunehmen.

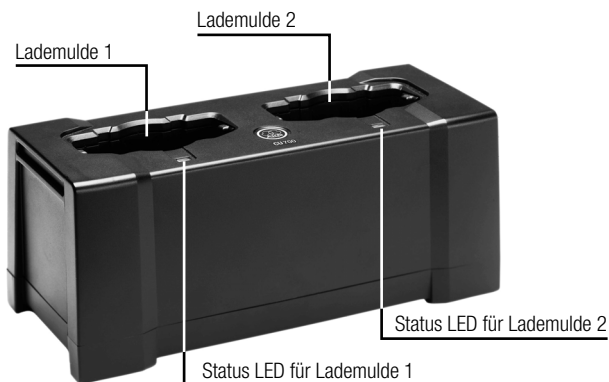
Einleitung

Die Ladestation CU 700

- überwacht während des Ladezyklus Spannung und Temperatur der Akkus;
- signalisiert nach Erreichen der maximalen Kapazität das Ende des Ladezyklus;
- überwacht alle erforderlichen Sicherheitsparameter und bricht den Ladevorgang ab, falls ein oder mehrere Sicherheitsparameter den zulässigen Bereich über- oder unterschreitet.

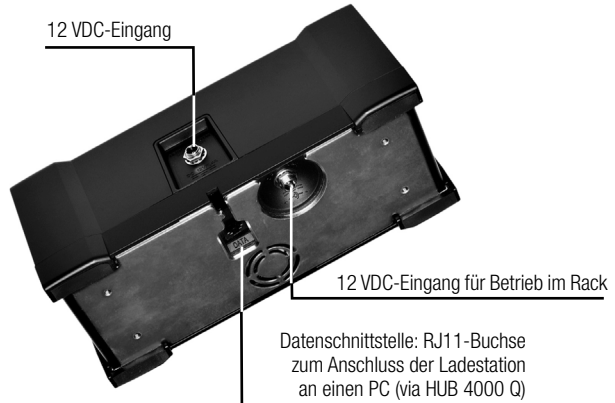
Die Ladestation erkennt, ob sich normale (nicht-wiederaufladbare) Batterien im Sender befinden und deaktiviert automatisch die Ladefunktion, wenn normale Batterien eingelegt sind.

Oberseite und Vorderseite



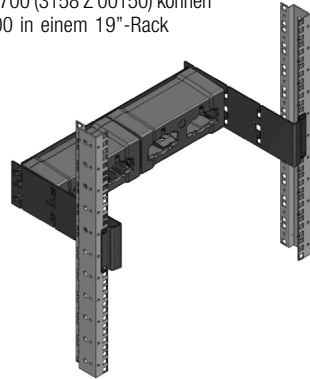
3 Allgemeines

Unterseite und Rückseite



Optionales Rackmontageset

- Mit dem optionalen Rackmontageset RMU 700 (3158 Z 00150) können Sie eine oder zwei Ladestationen CU 700 in einem 19"-Rack montieren.



4 Netzanschluss

! ACHTUNG

- Kontrollieren Sie, ob die am mitgelieferten Netzgerät angegebene Netzspannung mit der Netzspannung am Einsatzort übereinstimmt. Der Betrieb des Netzteils an einer anderen Netzspannung kann zu Schäden am Gerät führen.

- Verwenden Sie ausschließlich das mitgelieferte Netzgerät.

1. Verbinden Sie das DC-Kabel des mitgelieferten Netzgeräts mit der 12 V DC-Buchse an der Rückseite der Ladestation.
2. Stecken Sie das Netzgerät an eine geeignete Netzsteckdose an.
3. Die Ladestation ist betriebsbereit, beide STATUS-LEDs an der Ladestation bleiben dunkel.

Akkus laden

- Sowohl die beiliegenden Akkus als auch separat gekaufte Akkus werden leer oder teilgeladen geliefert. Sie müssen neue Akkus in jedem Fall erst aufladen, bevor Sie sie verwenden können.
- Die Anzeige der Batteriekapazität funktioniert optimal, wenn Sie die Akkus immer mit der Ladestation CU 700 voll aufladen.
- Wenn Sie die Akkus im Sender ausgetauscht haben, laden Sie die neuen Akkus unbedingt voll auf. Dies ist notwendig, um das Ladesteuerungssystem zu kalibrieren.
- Die Betriebszeit der Akkus hängt von deren Qualität ab. Verwenden Sie daher ausschließlich Akkus desselben Typs wie die mitgelieferten Akkus.



Jede Lademulde ist mit einer dreifarbigem STATUS-LED ausgestattet, die folgende Betriebszustände anzeigt (">...<" bedeutet, dass die LED in der angegebenen Farbe blinkt):

STATUS LED	STATUS
---	Die Ladestation ist betriebsbereit, in keiner Lademulde ist ein Sender eingesetzt.
orange	Die Akkus im eingesetzten Sender werden überprüft. Akkutemperatur über 40°C oder unter 5°C. LED blinkt, bis Temperatur wieder im zulässigen Bereich liegt.
rot	Die Akkus werden geladen.
grün	Die Akkus sind voll geladen, der Ladezyklus ist beendet.
>rot<	Fehler.
blau	Datenkommunikation zur Computerüberwachung ist aktiv.

Tabelle 1: Funktionsweise der STATUS-LEDs

1. Kontrollieren Sie, ob sich im Batteriefach des Senders 2 Akkus befinden. Wenn sich kein Akku im Batteriefach befindet, stellen Sie den Sender erst in die Ladestation, nachdem Sie 2 Akkus eingelegt haben.
2. Stellen Sie den Sender so in die Lademulde, dass das Display des Senders zu den STATUS-LEDs an der Ladestation zeigt. Der Sender wird über die Ladekontakte automatisch mit Strom versorgt.
3. Schalten Sie den Sender während des Ladezyklus niemals ein, weil die Ladestation dadurch möglicherweise das Ende des Ladezyklus anzeigt, bevor dieser tatsächlich beendet ist.



Sender in die Ladestation einsetzen

Abb. 1: Sender in Ladestation CU 700 einsetzen

- Um die Ladestation nicht zu beschädigen, versuchen Sie niemals, normale Batterien aufzuladen!



- Wichtige Hinweise**
1. Sie können den Sender jederzeit vor dem Ende des Ladezyklus aus der Ladestation entfernen.
 2. Sie können die im Sender befindlichen Akkus jederzeit nachladen, also auch bevor sie vollständig entladen sind.
 3. Bei Umgebungstemperaturen über $+40^{\circ}\text{C}$ kann eine Überhitzung der Ladestation zu einer erheblich verlängerten Ladezeit oder zum Abbruch des Ladezyklus (STATUS-LED blinkt rot) führen. Sinkt die Umgebungstemperatur wieder unter $+40^{\circ}\text{C}$, wird der Ladezyklus automatisch fortgesetzt (STATUS-LED leuchtet konstant rot).
 4. Erhitzen sich die Akkus während des Ladezyklus auf mehr als $+60^{\circ}\text{C}$ (z.B. aufgrund erhöhter Umgebungstemperatur), wird der Ladezyklus automatisch beendet (STATUS-LED blinkt rot), die meisten Akkus werden bei Temperaturen über $+60^{\circ}\text{C}$ unbrauchbar.
 5. Zu starke Erschütterungen können zum Abbruch (STATUS-LED blinkt rot), Neustart (STATUS-LED leuchtet orange) oder zur vorzeitigen Beendigung (STATUS-LED leuchtet grün) des Ladezyklus führen. Vermeiden Sie Erschütterungen während des Ladezyklus und achten Sie darauf, dass die Ladestation fest auf einer harten Unterlage steht.
 6. Um ungeachtet der Punkte 1 und 2 eine lange Lebensdauer der Akkus zu gewährleisten, empfehlen wir,
 - die Akkus immer vollständig zu entladen, also erst dann nachzuladen, wenn der Sender eine geringe Akkukapazität anzeigt;
 - die Akkus immer voll zu laden, also erst nach dem Ende des Ladezyklus aus der Ladestation herauszunehmen;
 - den Akku niemals bei Temperaturen unter $+5^{\circ}\text{C}$ und über $+40^{\circ}\text{C}$ zu laden. Bei diesen Temperaturen wird der Ladezyklus nicht gestartet, die STATUS-LED leuchtet orange. Der Ladezyklus startet automatisch, sobald die Temperatur des Akkus wieder im erlaubten Bereich liegt.
 - ausschließlich die empfohlenen Akkutypen (s. Kapitel 9 Technische Daten) zu verwenden.
 7. Die Akkus erreichen erst nach einigen Ladezyklen die volle Kapazität.
 8. Wenn sich ein Sender mit voll geladenen und ein Sender mit leeren Akkus in der Ladestation befinden, kann der Ladezyklus bis zu 10 Stunden dauern.
 9. Wenn Sie einen Sender mit normaler Batterie in die Ladestation einsetzen, wird nach dem Prüfvorgang und einer kurzen Ladezeit der Ladezyklus abgebrochen. Die STATUS-LED beginnt rot zu blinken.
-

Sobald Sie einen Sender mit Akku in die Ladestation einsetzen, beginnt automatisch der Ladezyklus.

STATUS LED	STATUS
orange	Spannung und Temperatur der Akkus werden überprüft.
rot	Die Akkus werden geladen. Die Ladezeit für vollständig entladene Akkus beträgt ca. 1,5 Stunden, für teilentladene Akkus entsprechend weniger.
grün	Die Akkus sind voll geladen, der Ladezyklus ist beendet. Die Ladestation schaltet auf Erhaltungsladung um. Sie können den Sender aus der Ladestation herausnehmen. Durch den Ladevorgang können sich die Akkus auf bis zu +60°C erwärmen. Dies ist normal.

Tabelle 2: Ladezyklus

1. **Ziehen Sie das DC-Kabel von der DC 12 V-Buchse an der Rückseite der Ladestation ab.**
2. Reinigen Sie die Oberflächen der Ladestation mit einem mit Wasser befeuchteten, aber nicht nassen Tuch.

- **Verwenden Sie keinesfalls scharfe oder scheuernde Reinigungsmittel sowie keine, die Alkohol oder Lösungsmittel enthalten, da diese den Lack sowie die Kunststoffteile beschädigen könnten.**



Fehler	Mögliche Ursache	Behebung
Alle LEDs dunkel.	<ul style="list-style-type: none"> • Kein Fehler. STATUS-LEDs werden erst aktiviert, wenn Sie einen Sender mit Akkus in die jeweilige Lademulde einsetzen. 	
LEDs dunkel, obwohl wenigstens ein Sender mit Akkus in eine Lademulde eingesetzt ist.	<ol style="list-style-type: none"> 1. Netzgerät ist nicht mit dem Stromnetz verbunden. 2. DC-Kabel ist nicht an Ladestation angesteckt. 3. Sender kontaktiert nicht mit allen 4 Ladekontakten. 4. Interner Fehler. 	<ol style="list-style-type: none"> 1. Netzgerät an eine geeignete Netzsteckdose anschließen. 2. DC-Kabel an Ladestation anstecken. 3. Kontakte auf Federwirkung prüfen oder reinigen. 4. Netzgerät oder DC-Kabel abziehen, nach 10 Sekunden wieder anstecken. Falls der Fehler erneut auftritt, wenden Sie sich an Ihre AKG-Service-stelle.
LED blinkt rot.	<ul style="list-style-type: none"> • Ladezyklus wurde abgebrochen: <ol style="list-style-type: none"> 1. Im Sender befinden sich nicht-wieder-aufladbare Batterien. 2. Ladekontakte verschmutzt. 3. Innentemperatur der Akkus zu hoch. 4. Innentemperatur der Ladestation zu hoch. 5. Akkus defekt (Akkuspannung <0,5 V) 6. Falsches Netzgerät mit zu hoher Spannung: beide STATUS-LEDs blinken rot. 7. Ladestation defekt. 	<ol style="list-style-type: none"> 1. Sender aus Lademulde entnehmen, Batterien durch Akkus ersetzen. 2. Ladekontakte an Sender und Ladestation mit weichem Tuch reinigen. 3. Akkus/Ladestation abkühlen lassen, Ladezyklus wird automatisch gestartet, wenn Temperatur im erlaubten Bereich liegt. 4. Ladestation so aufstellen, dass ausreichende Wärmeabfuhr gewährleistet ist. 5. Akkus austauschen. 6. Mitgeliefertes Original-Netzgerät verwenden. 7. Wenden Sie sich an Ihre AKG-Service-stelle.

Betriebsspannung:	12 V DC, max. 1,5 A
Empfohlene Akkus:	NiMH oder NiCd-Akkus mit 1900 mAh Mindestkapazität
Netzspannung:	siehe Aufdruck am Steckernetzgerät
Ladestrom:	typ. 1,4 A bei Betrieb einer Lademulde
Ladezeit:	typ. 1,5 Stunden bei Betrieb einer Lademulde (abhängig von Akkutyp und -kapazität)
Abmessungen (LxHxT):	188 x 115 x 78 mm
Gewicht:	ca. 420 g

Dieses Produkt entspricht den in der Konformitätserklärung angegebenen Normen. Sie können die Konformitätserklärung auf <http://www.akg.com> oder per E-Mail an sales@akg.com anfordern.

Nous vous remercions d'avoir choisi un produit d'AKG. **Veillez lire attentivement le mode d'emploi, tout particulièrement le chapitre Sécurité et environnement, avant d'utiliser l'appareil.** Conservez soigneusement le mode d'emploi pour l'avoir toujours sous la main lorsque vous avez besoin de le consulter. Nous espérons que vous aurez beaucoup de satisfaction et de succès avec votre équipement.

Symboles utilisés



Le symbole représentant un point d'exclamation à l'intérieur d'un triangle équilatéral, tel qu'il figure sur l'appareil, indique qu'il est nécessaire pour l'utilisateur de consulter le mode d'emploi. Celui-ci utilise ce symbole pour signaler des instructions que l'utilisateur doit suivre afin d'assurer un fonctionnement de l'appareil en toute sécurité.



Le symbole "i" signale les notes, explications ou conseils importants qu'il importe d'observer pour assurer le fonctionnement optimal de l'équipement.

Remarque importante

- **AKG améliore régulièrement le microprogramme du système CU 700 pour répondre à l'évolution des besoins de ses clients. Si votre système utilise une autre version du microprogramme que celle décrite dans ce manuel, certaines fonctions peuvent différer des instructions fournies.**
-

	Page
1 Sécurité et environnement	24
Sécurité	24
Environnement	24
2 Bordereau d'expédition	25
3 Généralités	25
Introduction	25
Dessus et face avant	25
Base et face arrière	26
Kit de montage en rack optionnel	26
4 Raccordement	26
5 Consignes d'utilisation	27
Processus de charge	27
Mise en place de l'émetteur	27
Remarques importantes	28
6 Cycle de charge	29
7 Nettoyage	28
8 Dépannage	30
9 Caractéristiques techniques	31



1 Sécurité et environnement

- Sécurité**
- Ne pas renverser de liquides sur le matériel et ne pas introduire d'objets dans les fentes de ventilation de l'équipement.
 - Il est inutile d'essayer d'utiliser le chargeur pour recharger des piles non rechargeables. Il identifie ces dernières et désactive automatiquement la fonction de charge.
 - Le chargeur devra être utilisé exclusivement dans des locaux secs.
 - Le chargeur ne peut être ouvert, entretenu ou réparé que par des techniciens autorisés. Aucun des éléments se trouvant sous le boîtier ne peut être entretenu, réparé ou remplacé par un non professionnel.
 - Placez le chargeur à une distance de 3 cm au moins des murs ou autres appareils afin d'assurer la dissipation de la chaleur. Au cas où le chargeur chaufferait excessivement, le processus de charge serait automatiquement interrompu.
 - Avant de brancher le chargeur au secteur, vérifiez si la tension de service indiquée sur le bloc secteur fourni correspond bien à la tension dont on dispose sur le lieu d'utilisation.
 - Le chargeur devra être utilisé exclusivement avec le bloc secteur fourni avec tension sortie de 12 V c.c.. Tout autre type de courant ou de tension risquerait d'endommager le chargeur !
 - Si vous restez un certain temps sans utiliser le chargeur, débranchez-le de la prise de courant. Pour éviter qu'ils ne se déchargent, ne laissez jamais le/les émetteur(s) sur le chargeur lorsque celui-ci est coupé de son alimentation.
 - Si un objet ou du liquide pénètre dans le chargeur, arrêter immédiatement le système de sonorisation. Débrancher sans délai le câble d'alimentation de la prise et faire contrôler l'équipement par le service après-vente d'AKG.
 - Ne placez jamais le chargeur à proximité d'une source de chaleur (radiateur, tuyaux de chauffage, amplificateurs, etc.) ni à un endroit où il risque d'être exposé directement au soleil, à une atmosphère poussiéreuse, à l'humidité, à la pluie, aux vibrations ou aux chocs.
 - Pour nettoyer le chargeur, utilisez un chiffon légèrement humide, jamais un chiffon mouillé. N'oubliez surtout pas de débrancher le bloc secteur ! N'utilisez jamais de produits de nettoyage acides ou abrasifs, non plus que des produits contenant de l'alcool ou un solvant qui risqueraient d'abîmer la laque et les éléments en plastique.
 - N'utilisez jamais le chargeur pour une application autre que celles indiquées dans le mode d'emploi. AKG décline toute responsabilité concernant les dégâts qui résulteraient d'une manipulation inappropriée ou d'une utilisation non conforme.

- Environnement**
- Le chargeur consomme aussi un peu de courant lorsqu'il n'est pas en service. Pour faire des économies de courant, débranchez donc le chargeur si vous devez rester un certain temps sans l'utiliser. Pour éviter qu'ils ne se déchargent, ne laissez jamais le/les émetteur(s) sur le chargeur lorsque celui-ci est coupé de son alimentation.
 - Lorsque vous jetez des accus usés conformez-vous toujours aux règlements en vigueur pour l'élimination des déchets. Ne mettez jamais les accus au feu (risque d'explosion) ni à la poubelle destinée aux ordures ordinaires.
 - L'emballage est recyclable. Déposez l'emballage dans le conteneur prévu par le système de tri.
 - Si vous mettez le chargeur à la ferraille séparez le boîtier, l'électronique et les câbles et éliminez les différents éléments conformément aux règlements en vigueur.



2 Bordereau d'expédition

CU
700

- Assurez-vous que l'emballage contient bien toutes les pièces indiquées ci-dessous. Si ce n'est pas le cas, contactez immédiatement votre fournisseur AKG.
- 1 chargeur CU 700
- 1 bloc secteur (si marqué d'une croix sur l'emballage)
- 4 accus NiMH, dimension AA

- Vous trouverez la liste des accessoires optionnels dans le catalogue/dépliant AKG actuel ou sur www.akg.com. Votre fournisseur se tient à votre disposition pour vous conseiller.

Accessoires optionnels

3 Généralités

CU
700

Le chargeur CU 700 a été conçu spécialement pour le système sans fil DMS 700.

Le chargeur possède deux compartiments de charge dont les moulages correspondent aux émetteurs DHT 700 et DPT 700. Vous pouvez donc l'utiliser pour charger deux émetteurs avec accus simultanément et indépendamment l'un de l'autre. Vous pouvez charger des accus sans les sortir de l'émetteur.

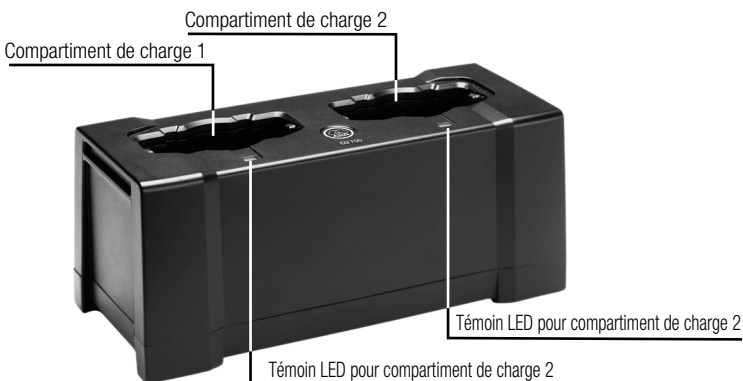
Le chargeur CU 700

- surveille la tension et la température des accus pendant le cycle de charge ;
- signale la fin du cycle de charge lorsque la capacité maximum est atteinte ;
- surveille tous les paramètres de sécurité voulus et interrompt le cycle de charge lorsqu'un ou plusieurs paramètres de sécurité atteignent une valeur supérieure ou inférieure à la plage admise.

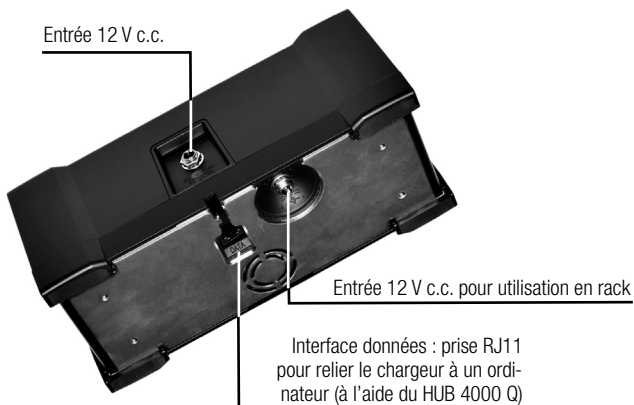
Le chargeur reconnaît s'il y a dans l'émetteur des piles ordinaires (non rechargeables) et désactive automatiquement la fonction de charge lorsque l'émetteur contient une pile ordinaire.

Introduction

Dessus et face avant

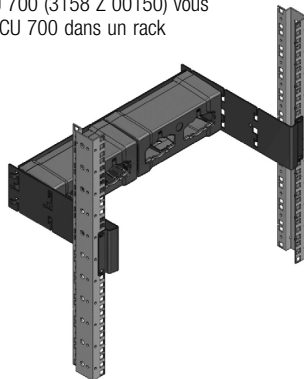


Base et face arrière



Kit de montage en rack optionnel

- Le kit de montage en rack optionnel RMU 700 (3158 Z 00150) vous permet d'installer un ou deux chargeurs CU 700 dans un rack 19".



4 Raccordement



AVIS

- Vérifiez si la tension secteur utilisée est bien identique à celle indiquée sur le bloc secteur fourni. Une tension différente pourrait endommager l'appareil.
- Utilisez uniquement le bloc secteur fourni.

- Connectez le câble c.c. (DC) du bloc secteur fourni sur l'embase 12 V DC au dos du chargeur.
- Branchez le bloc secteur sur une prise de courant appropriée.
- Le chargeur est prêt à fonctionner, toutes les LED STATUS du chargeur sont éteintes.

Processus de charge



- Les accus fournis (ou ceux que vous achetez plus tard) sont livrés non chargés ou partiellement chargés. Il faut donc toujours commencer par charger les accus neufs avant de les utiliser.
- L'indicateur de capacité des accus fonctionnera dans les meilleures conditions si vous chargez les accus à fond en utilisant le chargeur CU 700.
- Si vous remplacez les accus rechargeables se trouvant dans un émetteur, veillez à bien charger les accus à fond afin de calibrer le système de contrôle de charge.
- La durée de service des accus dépend de la qualité des accus utilisés. N'utilisez jamais de accus d'un type autre que celui que vous trouverez dans les fournitures d'origine.

A chacun des compartiments du chargeur correspond un témoin LED tricolore qui indique les états suivants (">...<" signifie, que la LED clignote sur la couleur indiquée) :

Témoin LED	Etat
---	Le chargeur est en ordre de marche, il n'y a pas d'émetteur dans le compartiment.
orange	Le contrôle des piles se trouvant dans l'émetteur est en cours. La température des accus est supérieure à 40°C ou inférieure à 5°C. La LED clignote jusqu'à ce que la température se situe dans la fourchette spécifiée.
rouge	Recharge des accus en cours.
vert	Les accus sont chargés à fond, le cycle de charge est terminé.
>rouge<	Erreur
bleu	La communication des données pour la surveillance sur ordinateur est active.

Tableau 1: Fonctionnement des témoins LED

1. Vérifiez s'il y a bien des accus dans le compartiment des piles de l'émetteur. S'il n'y a pas d'accum dans l'émetteur, mettez deux accus dans le compartiment des piles avant de placer l'émetteur sur le chargeur.
2. Placez l'émetteur dans le moulage du chargeur de manière à ce que l'écran de l'émetteur soit tourné vers les témoins LED du chargeur. L'émetteur est automatiquement alimenté par le biais des contacts de charge.
3. Ne mettez jamais l'émetteur sous tension pendant le cycle de charge ; auquel cas le témoin indiquerait la fin du cycle de charge avant que ce dernier soit réellement terminé.



Mise en place de l'émetteur

Fig. 1: Comment introduire l'émetteur dans le chargeur CU 700.

- Pour ne pas risquer d'abîmer le chargeur n'essayez jamais de charger des piles sèches.



5 Consignes d'utilisation

Remarques importantes

1. Vous pouvez sortir l'émetteur du chargeur à un moment quelconque avant la fin du cycle de charge.
2. Vous pouvez recharger les accus se trouvant dans l'émetteur à un moment quelconque, même s'ils ne sont pas complètement épuisés.
3. Si la température ambiante est supérieure à +40°C, le chargeur risque de chauffer, ce qui prolonge la durée de charge ou provoque l'interruption du cycle (le témoin LED clignote sur rouge). Dès que la température ambiante tombe au-dessous de +40°C, le cycle de charge se poursuit normalement (le témoin LED reste au rouge sans clignoter).
4. Si les accus s'échauffent à plus de +60°C pendant le cycle de charge (p.ex. du fait de la température ambiante élevée) le cycle de charge est automatiquement interrompu (le témoin LED clignote sur rouge). La plupart des accus sont détériorés par une température supérieure à +60°C.
5. Des vibrations trop fortes peuvent provoquer l'interruption, (le témoin LED clignote sur rouge), le redémarrage, (le témoin LED est allumé sur orange), ou l'arrêt prématuré du cycle de charge, (le témoin LED est allumé sur vert). Evitez les vibrations pendant le cycle de charge et veillez à ce que le chargeur soit placé sur une base fixe et rigide.
6. Nonobstant les points 1 et 2, pour prolonger la durée de vos accus nous vous recommandons de :
 - Toujours attendre que les accus soient complètement épuisés, autrement dit de ne pas les recharger tant que l'émetteur indique une faible capacité des accus.
 - Toujours charger les accus à fond, autrement dit, ne les sortir du chargeur qu'une fois le cycle de charge terminé.
 - Ne jamais charger les accus à une température inférieure à +5°C ou supérieure à +40°C. En dehors de cette fourchette le cycle de charge n'est pas lancé, le témoin LED est allumé sur orange.
Le cycle de charge démarre automatiquement dès que la température des accus revient dans la fourchette autorisée.
 - Utiliser exclusivement des accus du type recommandé (voir chapitre 9 Caractéristiques techniques).
7. Les accus n'atteignent leur capacité maximale qu'au bout de quelques cycles de charge.
8. S'il y a un émetteur avec des accus chargés à fond et un émetteur avec des accus épuisés dans les moules de charge, le cycle de charge peut durer jusqu'à 10 heures.
9. Si vous mettez sur le chargeur un émetteur contenant une pile ordinaire, le cycle de charge sera interrompu immédiatement après le processus de contrôle et un début de charge. Le témoin LED se met à clignoter sur rouge.
Bien qu'il n'y ait pratiquement pas de risque de détériorer l'émetteur ou le chargeur nous recommandons de ne pas mettre sur le chargeur des émetteurs contenant des piles ordinaires.

6 Cycle de charge

CU
700

Le cycle de charge est lancé automatiquement dès que vous mettez un émetteur dans lequel se trouvent des accus en place sur le chargeur.

Témoin LED	Etat
orange	Contrôle de la tension et de la température des accus.
rouge	Recharge des accus en cours. La recharge des accus complètement épuisés dure 1,5 heure environ, le temps nécessaire dépend autrement de l'état de charge des accus.
vert	Les accus sont chargés à fond, le cycle de charge est terminé. Le chargeur passe sur charge d'entretien. Vous pouvez sortir l'émetteur du chargeur. Pendant le processus de charge, la température des accus peut monter jusqu'à +60° C. Ceci est normal.

Tableau 2: Cycle de charge

7 Nettoyage

CU
700

1. **Déconnectez le câble c.c. de l'embase DC 12 V au dos du chargeur.**
2. Nettoyez la surface du chargeur avec un chiffon légèrement humecté d'eau mais pas franchement mouillé.

- **N'utilisez jamais de produits de nettoyage abrasifs ou corrosifs non plus que des produits contenant de l'alcool ou un solvant sous peine d'abîmer les surfaces laquées et les éléments de matière plastique.**



AVIS

Erreur	Cause possible	Intervention
Toutes les LED sont éteintes.	<ul style="list-style-type: none"> • Normal. Les LED devant les moulages ne sont activées que lorsqu'on a placé un émetteur avec accus dans le moulage correspondant. 	
Les LED sont éteintes bien qu'il y ait un émetteur avec accus dans un moulage.	<ol style="list-style-type: none"> 1. Le bloc secteur n'est pas branché sur le secteur. 2. Le câble c.c. n'est pas connecté au chargeur. 3. L'émetteur n'est pas en contact avec les 4 contacts de charge. 4. Défaut interne. 	<ol style="list-style-type: none"> 1. Brancher le bloc secteur sur une prise secteur appropriée. 2. Connecter le câble c.c. au chargeur. 3. Vérifier l'élasticité des contacts ou les nettoyer. 4. Débrancher le bloc secteur ou c.c. et le rebrancher au bout de 10 secondes. Si l'erreur persiste, adressez-vous au SAV d'AKG.
Une LED clignote sur rouge.	<ul style="list-style-type: none"> • Le cycle de charge a été interrompu: <ol style="list-style-type: none"> 1. Il y a des piles non rechargeables dans l'émetteur. 2. Les contacts de charge sont encrassés. 3. La température intérieure de l'accu est trop élevée. 4. La température intérieure du chargeur est trop élevée. 5. Les accus sont défectueux (tension des accus <0,5 V). 6. Le bloc secteur ne convient pas (tension trop élevée) ; les deux témoins LED clignent sur rouge. 7. Le chargeur est défectueux. 	<ol style="list-style-type: none"> 1. Sortir l'émetteur du chargeur, remplacer les piles par des accus. 2. Nettoyer les contacts de charge de l'émetteur et du chargeur avec un chiffon souple. 3. Laisser refroidir les accus/le chargeur, le cycle de charge est relancé automatiquement lorsque la température autorisée est rétablie. 4. Placer le chargeur de manière à permettre la dissipation de la chaleur. 5. Remplacer les accus. 6. Utilisez le bloc secteur d'origine. 7. Contactez le SAV d'AKG.

Tension de service :	12 V c.c., maxi 1,5 A
Accus recommandés :	NiMH ou NiCd, capacité minimum de 1900 mAh
Tension secteur :	voir étiquette sur le bloc secteur
Courant de charge :	typ. 1,4 A lorsqu'on utilise un compartiment
Durée de la charge:	typ. 1,5 heures lorsqu'on utilise un compartiment (suivant le type et la capacité de l'accu)
Dimensions (lxhxp):	188 x 115 x 78 mm
Poids:	420 g environ

Ce produit est conforme aux normes citées dans la Déclaration de Conformité, dont vous pouvez prendre connaissance en consultant le site <http://www.akg.com> ou en adressant un e-mail à sales@akg.com

Muchas gracias por haberse decidido por un producto de la empresa AKG. Tómese, por favor, unos momentos para **leer el Modo de Empleo, en especial el capítulo “Seguridad y medio ambiente”, antes de usar el aparato.** Guarde las instrucciones de empleo en un lugar seguro de modo que pueda consultarlas si se le presenta alguna duda. ¡Que se divierta y que tenga mucho éxito con su nuevo equipo!

Símbolos utilizados



El signo de exclamación dentro de un triángulo en el equipo indica que el usuario debe consultar el manual de usuario. En el manual de usuario, este símbolo identifica las instrucciones que debe seguir el usuario para garantizar el funcionamiento seguro del equipo.



El símbolo "i" señala importantes notas, indicaciones o explicaciones que debería seguir para estar seguro de obtener un rendimiento óptimo del equipo.

Nota importante

- **AKG mejora de forma continua el firmware interno del sistema CU 700 con el fin de satisfacer las necesidades cambiantes de sus clientes de la mejor manera posible. Si su sistema utilizara una versión de firmware diferente a la descrita en este manual de usuario, algunas funciones podrían diferir de las instrucciones aquí expuestas.**
-

	Página
1 Seguridad y medio ambiente	34
Seguridad	34
Medio ambiente	34
2 Volumen de suministro	35
3 Generalidades	35
Introducción	35
Panel superior y frontal	35
Panel inferior y posterior	36
Juego de montaje opcional	36
4 Conexión	36
5 Notas sobre el manejo	37
Función de carga	37
Introducir un transmisor	37
Notas importantes	38
6 Ciclo de carga	39
7 Limpieza	39
8 Reparación de desperfectos	40
9 Datos técnicos	41



1 Seguridad y medio ambiente

- Seguridad**
- No derrame líquido alguno sobre el equipo ni deje caer ningún objeto a través de las ranuras de ventilación del mismo.
 - No intente cargar pilas no recargables con la estación de carga. Esta reconoce las pilas no recargables y desactiva automáticamente la función de carga.
 - Utilice la estación de carga sólo en lugares secos.
 - El personal técnico calificado es el único autorizado para abrir, atender y reparar la estación de carga. En el interior de la caja no se encuentra ninguna pieza que pueda ser atendida, reparada o cambiada por un profano.
 - Coloque la estación de carga a una distancia de por lo menos 3 cm de paredes u otros aparatos para garantizar una eliminación de calor suficiente de la estación de carga. Si se produce sobrecalentamiento, el procedimiento de carga se interrumpe automáticamente.
 - Antes de utilizar la estación de carga, verifique que la tensión de servicio del alimentador de red corresponda a la tensión de red en el lugar de utilización.
 - Utilice la estación de carga solamente con el alimentador de red suministrado con tensión de salida de 12 V CC. ¡Otros tipos de corriente pueden dañar seriamente la estación de carga!
 - Si la estación de carga no se va a utilizar durante largo tiempo, debe desenchufar la estación de carga de la red. Para evitar descargas imprevistas retire los transmisores de la estación de carga cuando ésta se desconecta de la red.
 - Si cualquier objeto sólido o líquido penetrara en el equipo, desconecte de inmediato el sistema de sonido. Desconecte inmediatamente el cable de alimentación eléctrica de la salida y encargue la comprobación del equipo al personal de mantenimiento de AKG.
 - No coloque la estación de carga cerca de fuentes de calor, como por ejemplo radiadores, tubos de calefacción, amplificadores, etc. y no la exponga directamente al sol, a polvo o humedad intensos, a la lluvia, a vibraciones o a golpes.
 - Limpie la estación de carga sólo con un paño húmedo, pero no mojado. ¡Antes de proceder a la limpieza desenchufe el alimentador de red! No debe utilizar nunca materiales de limpieza corrosivos o abrasivos ni aquellos que contengan alcohol o disolventes, puesto que pueden dañar la laca o las piezas de material sintético.
 - Utilice la estación de carga sólo para los fines descritos en estas instrucciones de uso. AKG no se responsabiliza por daños debidos a un manejo inadecuado o uso indebido.

Medio ambiente



- La estación de carga toma también un poco de corriente si está desconectado el procedimiento de carga. Para ahorrar energía, desconecte la estación de carga de la red si ésta no se va a utilizar durante un cierto tiempo. Para evitar descargas imprevistas retire los transmisores de la estación de carga cuando ésta se desconecta de la red.
- Elimine los acumuladores gastados atendiendo a las correspondientes disposiciones vigentes de eliminación de residuos. No bote los acumuladores al fuego (peligro de explosión) o en la basura residual.
- El embalaje es reciclable. Elimine el embalaje en un sistema de recogida previsto para ello.
- Para desguazar la estación de carga hay que separar la caja, la electrónica y el cable y proceder a la eliminación de todos los componentes atendiendo a las correspondientes disposiciones vigentes de eliminación de residuos.

- Compruebe que el embalaje contenga todas las piezas enumeradas a continuación. Si faltara alguna de ellas, póngase en contacto con el distribuidor de AKG.
 - 1 Estación de carga CU 700
 - 1 Alimentador de red (si está marcado con cruz en el embalaje)
 - 4 Acumuladores NIMH, tamaño AA
-
- Los accesorios opcionales los encontrará en el más reciente Catálogo/Folleto de AKG o en www.akg.com. Su distribuidor lo asesorará con mucho gusto.
-

Accesorios opcionales

3 Generalidades

La estación de carga CU 700 fue desarrollada especialmente para el sistema inalámbrico DMS 700. La estación de carga dispone de dos bandejas de carga de forma especial para acoger los transmisores DHT 700 y DPT 700. Con ello se pueden cargar dos transmisores con acumuladores en forma simultánea y completamente independiente. Para cargar los acumuladores no es necesario sacarlos del transmisor.

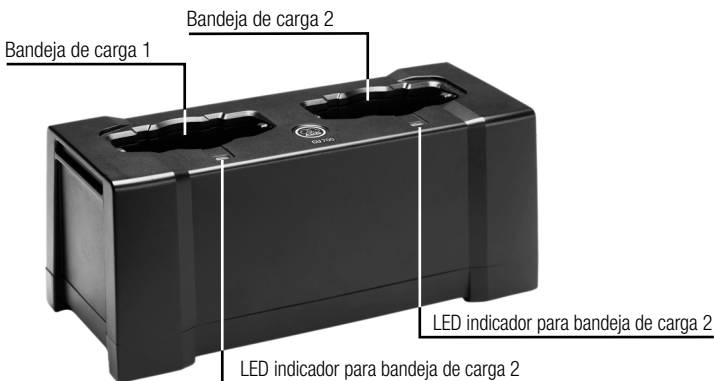
Introducción

La estación de carga CU 700

- controla la tensión y la temperatura de los acumuladores durante el ciclo de carga
- indica el fin del ciclo de carga cuando se llega a la capacidad máxima;
- controla todos los parámetros de seguridad necesarios e interrumpe el proceso de carga si uno o más de los parámetros de seguridad exceden el margen permitido o bajan por debajo del mismo.

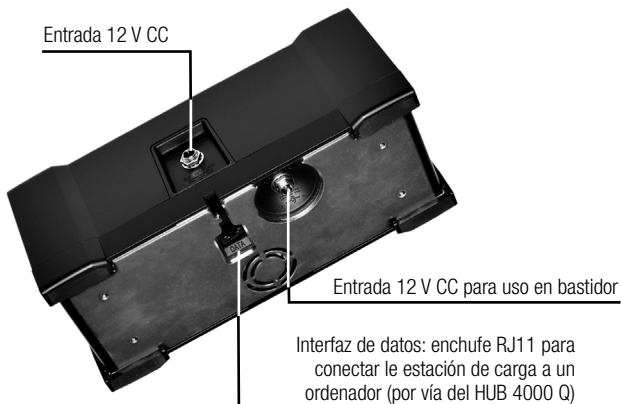
La estación de carga reconoce si en el transmisor se encuentran pilas normales (no recargables) y desactiva automáticamente la función de carga si se ha introducido unas pilas normales.

Panel superior y frontal



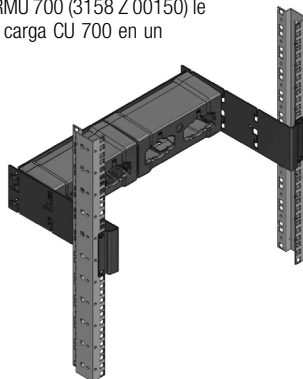
3 Generalidades

Panel inferior y posterior



Juego de montaje opcional

- El juego opcional de montaje del bastidor RMU 700 (3158 Z 00150) le permite instalar una o dos estaciones de carga CU 700 en un bastidor de 19".



4 Conexión

⚠ AVISO

- Controle si la tensión de servicio indicada en el alimentador de red suministrado corresponde a la tensión de red en el lugar de utilización. La utilización del alimentador con otra tensión puede dañar el aparato.
- Utilice exclusivamente el alimentador de red suministrado.

1. Conecte el cable CC del alimentador de red suministrado a la toma 12 V DC en la placa posterior de la estación de carga.
2. Enchufe el alimentador de red a un conector adecuado.
4. La estación de carga está en régimen de servicio y ambos LEDs indicadores están oscuros.

Función de carga

Nota

- Los acumuladores incluidos (y también aquellos que se compran más tarde) se entregan vacíos o cargados parcialmente. Antes de poder utilizar acumuladores nuevos es imprescindible cargarlos primero.
- El indicador de capacidad de los acumuladores funcionará en forma óptima si carga completamente los acumuladores con la estación de carga CU 700.
- Si repone los acumuladores recargables dentro de un transmisor asegúrese de que estén completamente cargados para poder calibrar el sistema de control de carga.
- La vida útil de los acumuladores depende de la calidad de los mismos. No use ningún tipo de acumuladores recargables que no sean del mismo tipo de los que van incluidos con la estación de carga.

Cada una de las bandejas de carga dispone de un LED indicador tricolor, que indica los siguientes regímenes de servicio (">...<" significa que el LED está centelleando con el color indicado):

LED indicador	Estatus
---	La estación de carga está en régimen de servicio, en la estación de carga no se encuentra ningún transmisor.
naranja	Los acumuladores en el transmisor insertado están siendo verificados. La temperatura de los acumuladores es superior a 40°C ó inferior a 5°C. EL LED centellea hasta que la temperatura se encuentre en la gama especificada.
rojo	Los acumuladores se están cargando.
verde	Los acumuladores están completamente cargados, el ciclo de carga ha terminado.
>rojo<	Fallo.
azul	La comunicación de datos para la supervisión por ordenador está activada.

Cuadro 1: Funcionamiento de los LEDs indicadores

1. Controle si en la caja de pilas del transmisor se encuentran dos acumuladores. Si en la caja de pilas no hay ningún acumulador, coloque el transmisor en la estación de carga sólo después de haber introducido dos acumuladores.
2. Introduzca el transmisor de tal forma en la bandeja de carga que su display indique hacia los LEDs indicadores de la estación de carga. El transmisor recibe corriente automáticamente a través de los contactos de carga.
3. No encienda nunca el transmisor durante un ciclo de carga, ya que en este caso el LED puede indicar la terminación del ciclo de carga antes de que éste haya realmente terminado.



Introducir un transmisor

Fig. 1: Insertar los transmisores en la estación de carga CU 700

- Para evitar daño a la estación de carga, no trate de cargar pilas secas (no recargables).



- Notas importantes**
1. El transmisor se puede retirar en cualquier momento de la estación de carga antes de haber concluido el ciclo de carga.
 2. Los acumuladores que se encuentran en el transmisor se pueden recargar en cualquier momento, es decir, también antes de que estén completamente descargados.
 3. Con una temperatura ambiente de más de +40°C puede producirse un sobrecalentamiento de la estación de carga, lo que puede producir un tiempo de carga bastante más largo o bien una interrupción del ciclo de carga (el LED indicador centellea de rojo).
Si la temperatura ambiente baja a menos de +40°C, el ciclo de carga continúa automáticamente (el LED indicador está iluminado constantemente de rojo).
 4. Si durante el ciclo de carga los acumuladores se calientan a más de +60°C (p.ej. debido a una temperatura ambiente más alta), el ciclo de carga concluye automáticamente (el LED indicador centellea de rojo). La mayoría de los acumuladores quedan inutilizables si se calientan a temperaturas de más de +60°C.
 5. Sacudidas muy fuertes pueden producir una interrupción (el LED indicador centellea de rojo), un reinicio (el LED indicador está encendido de naranja) o la terminación prematura (el LED indicador está encendido de verde) del ciclo de carga. Evite sacudidas durante el ciclo de carga y controle que la estación de carga esté colocada firmemente sobre un soporte duro.
 6. No obstante los puntos 1 y 2, para garantizar una larga duración de los acumuladores, recomendamos,
 - descargar siempre completamente los acumuladores, es decir, volver a recargarlos tan sólo cuando el transmisor indique una reducida capacidad de acumulador;
 - cargar los acumuladores completamente, es decir, no sacarlos de la estación de carga antes de que haya concluido el ciclo de carga;
 - no cargar nunca los acumuladores a temperaturas inferiores a +5°C o superiores a +40°C. A esas temperaturas no se inicia el ciclo de carga y el LED indicador se ilumina de naranja. El ciclo de carga se inicia automáticamente en cuanto la temperatura de los acumuladores se encuentra nuevamente en el margen permitido.
 - utilizar exclusivamente los tipos de acumulador recomendados (véase el capítulo 9 Datos técnicos).
 7. Los acumuladores llegan a su plena capacidad solamente después de varios ciclos de carga.
 8. Si hay un transmisor con acumuladores completamente cargados en una bandeja de carga y un transmisor con acumuladores descargados en la otra, el ciclo de carga puede durar hasta 10 horas.
 9. Si se introduce un transmisor con pilas normales en la estación de carga, el ciclo de carga se interrumpe después del procedimiento de control y de un breve tiempo de carga. El LED indicador empieza a centellear de rojo.
-

El ciclo de carga comienza automáticamente al introducir un transmisor con acumuladores en la estación de carga.

LED indicador	Estatus
naranja	La tensión y la temperatura de los acumuladores se están verificando.
rojo	Los acumuladores se están cargando. El tiempo de carga para acumuladores totalmente descargados es de aprox. 1,5 horas, para acumuladores parcialmente descargados, un tiempo correspondientemente menor.
verde	Los acumuladores están completamente cargados, el ciclo de carga ha terminado. La estación de carga conmuta a carga de compensación. Retire el transmisor de la estación de carga. El proceso de carga puede producir un calentamiento de los acumuladores hasta +60°C, lo que es completamente normal.

Cuadro 2: Ciclo de carga

7 Limpieza

1. **Desenchufe el cable CC de la toma DC 12 V de la parte posterior de la estación de carga.**
2. Limpie las superficies de la estación de carga con un paño humedecido, pero no mojado, con agua.

- **No utilice en ningún caso materiales de limpieza corrosivos o abrasivos ni aquellos que contengan alcohol o disolventes, puesto que pueden dañar la laca o las piezas de material sintético.**



Desperfecto	Causa posible	Remedio
Todos los LEDs están apagados.	<ul style="list-style-type: none"> No es desperfecto. Los LEDs delante de las bandejas de carga se activan sólo cuando usted introduce un transmisor con acumuladores en la correspondiente bandeja de carga. 	
Los LEDs están apagados aun cuando un transmisor con acumuladores ha sido introducido al menos en una bandeja de carga.	<ol style="list-style-type: none"> El alimentador de red no está conectado con la red eléctrica. El cable CC no está conectado a la estación de carga. El transmisor no toma contacto con los 4 contactos de carga. Desperfecto interno. 	<ol style="list-style-type: none"> Enchufar el adaptador de red a un conector apropiado. Conectar el cable CC a la estación de carga. Verificar el efecto de elasticidad de los contactos, o limpiarlos. Desenchufar el adaptador de red o cable CC y volver a enchufarlo después de 10 segundos. Si el fallo vuelve a presentarse, diríjase a su Servicio al Cliente de AKG.
Un LED centellea de rojo.	<ul style="list-style-type: none"> El ciclo de carga fue interrumpido: <ol style="list-style-type: none"> En el transmisor se encuentran unas pilas no recargables. Los contactos de carga están sucios. La temperatura interior de los acumuladores está demasiado alta. La temperatura interior de la estación de carga está demasiado alta. Los acumuladores tienen un fallo. (Tensión <0,5 V) Adaptador de red incorrecto con tensión demasiado alta: ambos LEDs centellean de rojo. La estación de carga tiene un fallo. 	<ol style="list-style-type: none"> Retirar el transmisor de la bandeja de carga, reemplazar las pilas por dos acumuladores. Limpiar, con un paño suave, los contactos de carga del transmisor y de la estación de carga. Dejar enfriar los acumuladores, el ciclo de carga se inicia automáticamente cuando la temperatura se encuentra en el margen permitido. Emplazar la estación de carga de tal forma que se pueda producir una adecuada eliminación de calor. Recambiar los acumuladores. Utilizar el adaptador de red original suministrado con la estación de carga. Diríjase a su Servicio al Cliente de AKG.

Tensión de servicio:	12 V CC, máx. 1.5A
Acumuladores recomendados:	acumuladores NiMH o NiCd con capacidad mínima de 1900 mAh
Tensión de red:	véase el impreso en el alimentador de red
Corriente de carga:	típ. 1,4 A para el funcionamiento de una sola bandeja de carga
Tiempo de carga:	típ. 1,5 horas para el funcionamiento de una sola bandeja de carga (dependiendo del tipo y de la capacidad de los acumuladores)
Dimensiones (l x al x an):	188 x 115 x 78 mm
Peso:	aprox. 420 g

Este aparato corresponde a las normas citadas en la declaración de conformidad. Esta última está disponible en el sitio <http://www.akg.com> o puede ser solicitada al correo electrónico sales@akg.com

Microphones · Headphones · Wireless Microphones · Wireless Headphones · Headsets · Electroacoustical Components
Mikrofone · Kopfhörer · Drahtlosmikrofone · Drahtloskopfhörer · Kopfsprechgarnituren · Akustische Komponenten
Microphones · Casques HiFi · Microphones sans fil · Casques sans fil · Micros-casques · Composants acoustiques
Micrófonos · Auriculares · Micrófonos inalámbricos · Auriculares inalámbricos · Auriculares con micrófono · Componentes acústicos

AKG Acoustics GmbH

Lemböckgasse 21–25, A-1230 Vienna/AUSTRIA, phone: (+43-1) 86654-0*

e-mail: sales@akg.com

For other products and distributors worldwide visit www.akg.com



H A Harman International Company

Specifications subject to change without notice. Technische Änderungen vorbehalten. Ces caractéristiques sont susceptibles de modifications.
Nos reservamos el derecho de introducir modificaciones técnicas.

Printed in China (P.R.C.)

08/09/9100 U 13110

